

# PRODUCT DATASHEET

**Model: LX2T110 LX3T110 LX4T110**

Category: LED Track Light

Description: 20w LED Track Light



## General Information

Material: Aluminum + Iron

Fitting Colors: Matte White/ Black

Rotation Angle (degree): 355

Tilting Angle (degree): 90

Track System: Available in single wire, 3 wire, 3 phase

IP Rating: 20

Working Temperature (°C): -20 - +32

Storage Temperature (°C): -20 - +50



## Product Dimensions and Cut-out Information

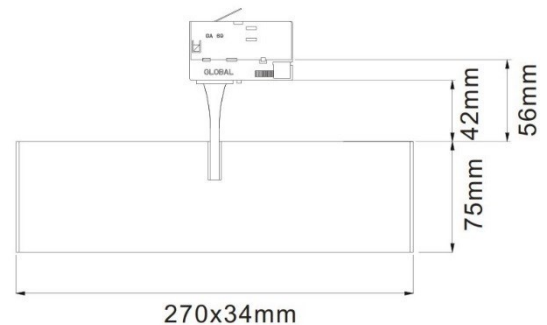
Fitting Length (mm): 75

Diameter (mm): 270 x 34

Height (mm): Not Applicable

Cut-out Dimension (mm): Not Applicable

Dimension:



## Packing Information

Packaging Type: Individual box

Quantity per carton: 20

CBM per carton: 0.0312

Gross weight per carton (kgs): 26

## Lifespan

Lifetime (hours): 50000

Luminous Flux after 50000hours (lm): LM80 Comply

# PRODUCT DATASHEET

**Model: LX2T110 LX3T110 LX4T110**

Category: LED Track Light

Description: 20w LED Track Light



## Light Technical Information

Color Temperature	CRI (Ra)	Gamut Index (GAI)	System Lumen	Lumen per Watt
2700	95	100	1643	68
3000	95	100	1777	74
4000	95	100	2045	85

LED Manufacturer: Luminus

LED Type: SMD

LED Model: SST-20

Optic: Reflector

Beam Angle (°): 15/30/45

## Electrical Information

System Power (w): 24

Input Voltage (v) & Frequency: 220-240V 50/60Hz

Output Voltage (v): 27-29

Current (mA): 700

Non-Dimmable: HEP LNC20W700LRP

Power Factor: 0.9

Efficiency (%): 83

Total Harmonic Distortion (%): <20

Ripple (%): ±5

Dimmable: Triac Dimming – Upon Request

Dali Dimming – Upon Request