

# PRODUCT DATASHEET

**Model: LX2T102 LX3T102 LX4T102**

Category: LED Track Light

Description: 36w LED Track Light



## General Information

Material: Aluminum + Iron

Fitting Colors: Matte White/ Black

Rotation Angle (degree): 355

Tilting Angle (degree): 90

Track System: Available in single wire, 3 wire, 3 phase

IP Rating: 20

Working Temperature (°C): -20 - +32

Storage Temperature (°C): -20 - +50



## Product Dimensions and Cut-out Information

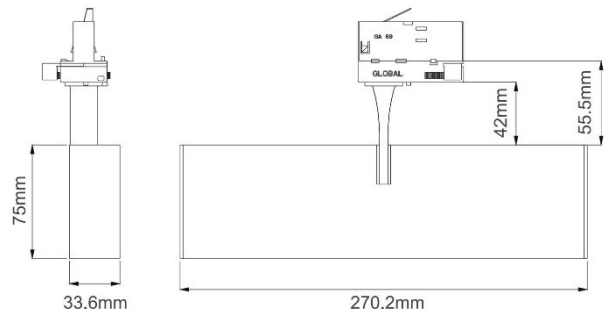
Fitting Length (mm): 75

Diameter (mm): 270.2 x 33.6

Height (mm): Not Applicable

Cut-out Dimension (mm): Not Applicable

Dimension:



## Packing Information

Packaging Type: Individual box

Quantity per carton: 20

CBM per carton: 0.03

## Lifespan

Lifetime (hours): 50000

Luminous Flux after 50000hours (lm): LM80 Comply

# PRODUCT DATASHEET

**Model: LX2T102 LX3T102 LX4T102**

Category: LED Track Light

Description: 36w LED Track Light



## Light Technical Information

Color Temperature	CRI (Ra)	Gamut Index (GAI)	System Lumen	Lumen per Watt
2700	90	90	2086	49
2700	95	100	1930	45
3000	90	90	2183	51
3000	95	100	2027	47
4000	90	90	2144	50
4000	95	100	2729	63
5000	80	90	2729	63

LED Manufacturer: Luminus

LED Type: SMD

LED Model: MP-3030

Optic: Reflector + Lens + Diffuser

Beam Angle (°): 66

## Electrical Information

System Power (w): 43

Input Voltage (v) & Frequency: 220-240V 50/60Hz

Output Voltage (v): 34.4 – 37.6

Current (mA): 500

Non-Dimmable: HEP LNTC20W500LRP

Power Factor: 0.9

Efficiency (%): 83

Total Harmonic Distortion (%): <20

Ripple (%): ±5

Dimmable: Triac Dimming – Upon Request

Dali Dimming – Upon Request