

PRODUCT DATASHEET

Model: LDL350

Category: LED Adjustable Recessed Downlight

Description: 9w LED Adjustable Recessed Downlight with DALI dimming



General Information

Material: Aluminium

Fitting Colors: Matte White

Rotation Angle (degree): Not Applicable

Tilting Angle (degree): 30

Track System: Not Applicable

IP Rating: 20

Working Temperature (°C): -5 - +35

Storage Temperature (°C): -20 - +50



Product Dimensions and Cut-out Information

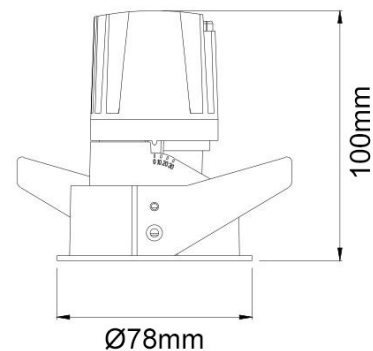
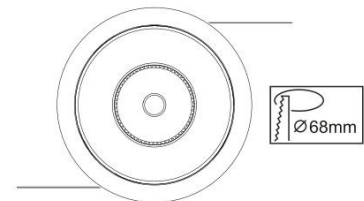
Fitting Length (mm): Not Applicable

Diameter (mm): 78

Height (mm): 100

Cut-out Dimension (mm): 68

Dimension:



Packing Information

Packaging Type: Individual box

Quantity per carton: 10

CBM per carton: 0.036

Gross weight per carton (kgs): 10

Lifespan

Lifetime (hours): 50000

Luminous Flux after 50000hours (lm): LM80 Comply

Accessories



PRODUCT DATASHEET

Model: LDL350

Category: LED Adjustable Recessed Downlight

Description: 9w LED Adjustable Recessed Downlight with DALI dimming



Light Technical Information

Color Temperature	CRI (Ra)	Gamut Index (GAI)	System Lumen	Lumen per Watt
2700	90	90	522	52
2700	95	100	500	50
3000	90	90	563	56
3000	95	100	527	53
3000 Vivid White	90	110	Not Applicable	Not Applicable
4000	90	90	607	61
4000	95	100	563	56
5000	80	90	704	70
5000	90	90	609	61

LED Manufacturer: Luminus

LED Type: COB

LED Model: CXM-6 G4

Optic: Reflector

Beam Angle (°): 17/24/36

Electrical Information

System Power (w): 10

Input Voltage (v) & Frequency: 220-240V 50/60Hz

Output Voltage (v): 31-37

Current (mA): 250

Triac dimming: LCA 17W 250-700mA one4all SC PRE

Power Factor: 0.9

Efficiency (%): 86

Total Harmonic Distortion (%): <10

Ripple (%): ±5

Dimmable: 1-10V Dimming – Upon Request

Dali Dimming – Upon Request